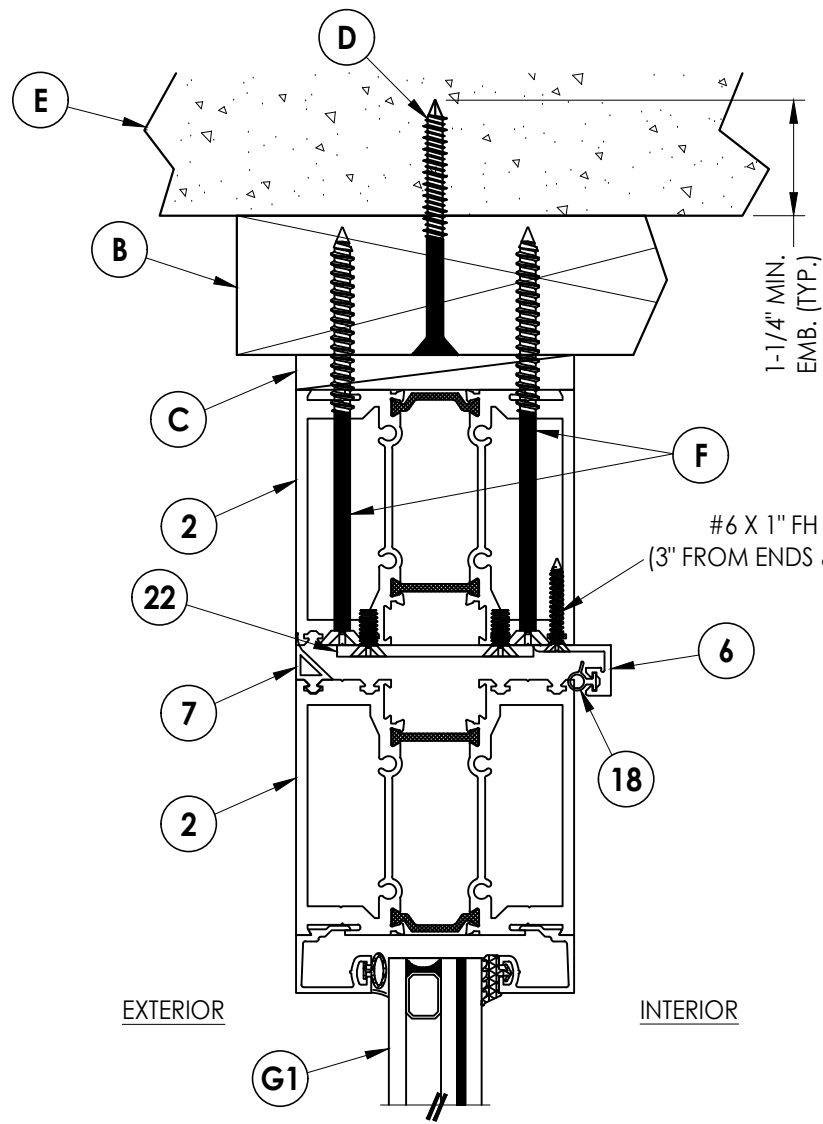




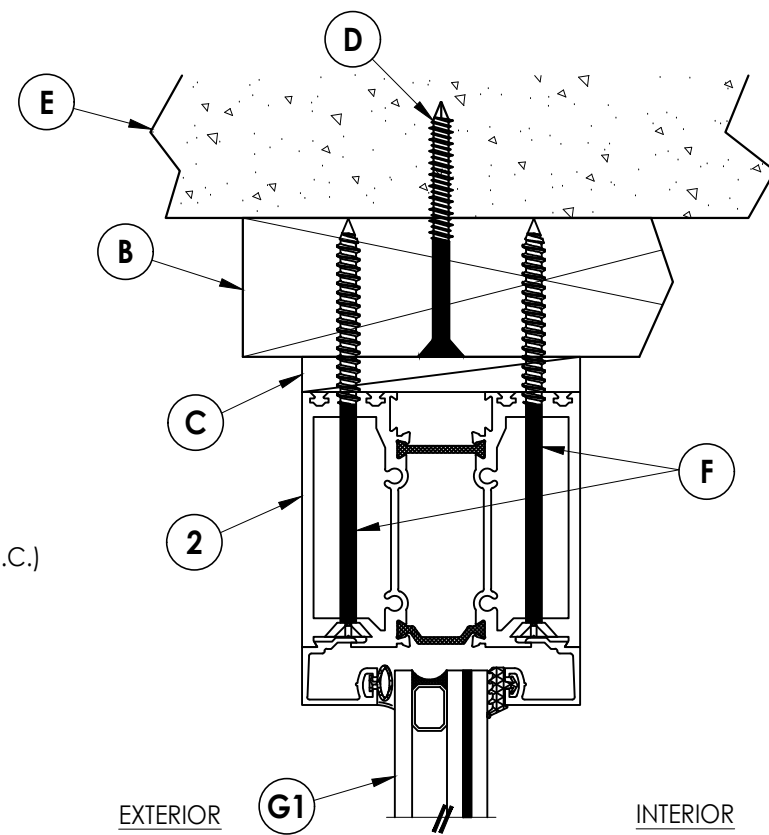




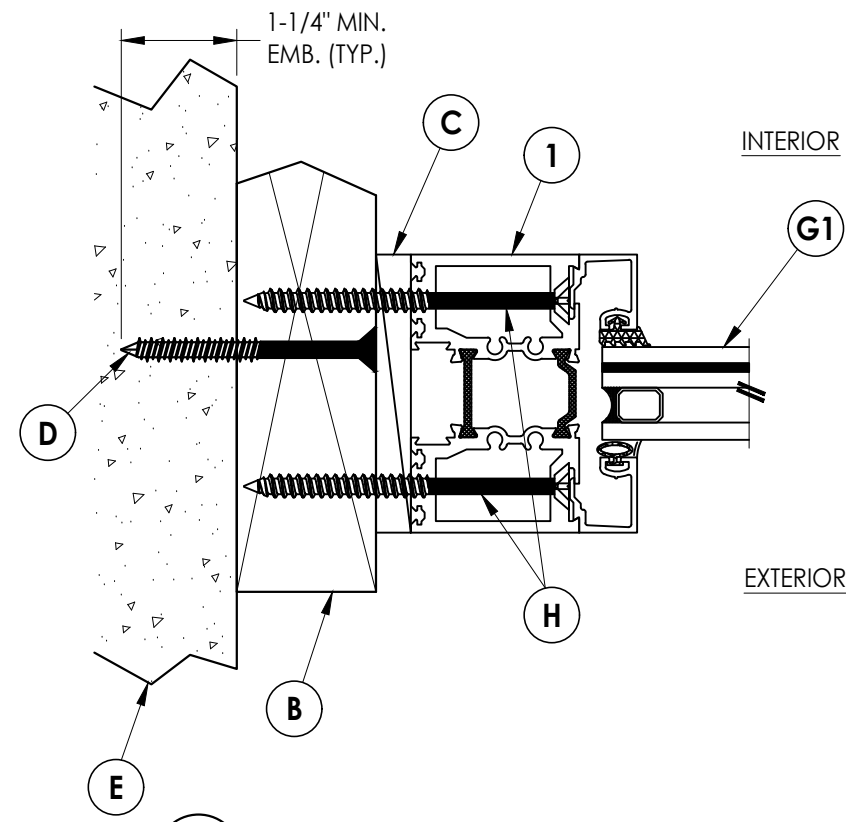
Z:\2023 FBC Drawings\Therma-Tru\FL-46172\FL 46172.5.dwg



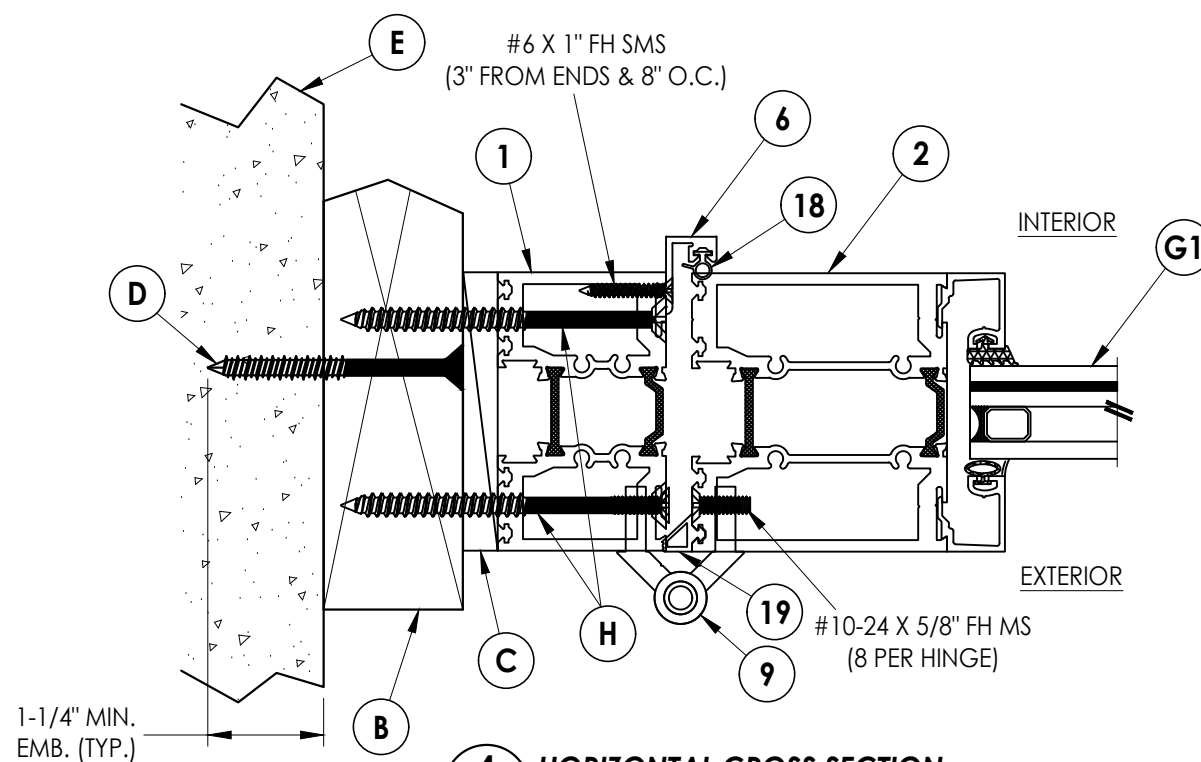
**1** VERTICAL CROSS SECTION  
4 Shown w/ 2X Buck



**2** VERTICAL CROSS SECTION  
4 Shown w/ 2X Buck



**3** HORIZONTAL CROSS SECTION  
4 Shown w/ 2X Buck



**4** HORIZONTAL CROSS SECTION  
4 Shown w/ 2X Buck

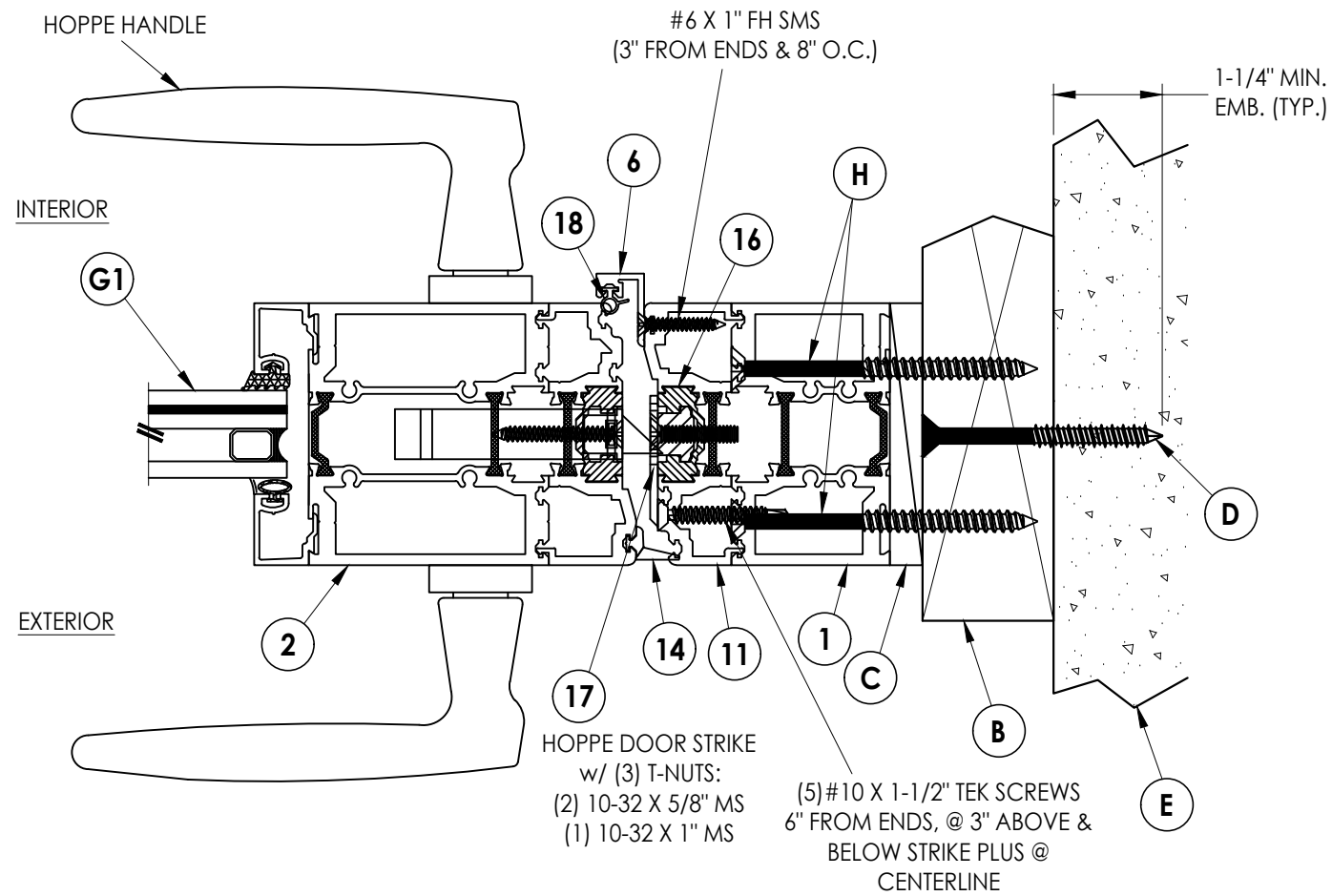
Documents Prepared By:  
Lyndon F. Schmidt  
P.E. No. 43409

**RW** BUILDING CONSULTANTS, INC.  
P.O. Box 230, Vairico, FL 33595  
Phone No.: 813.659.9197  
FBPE Registry No. 9813

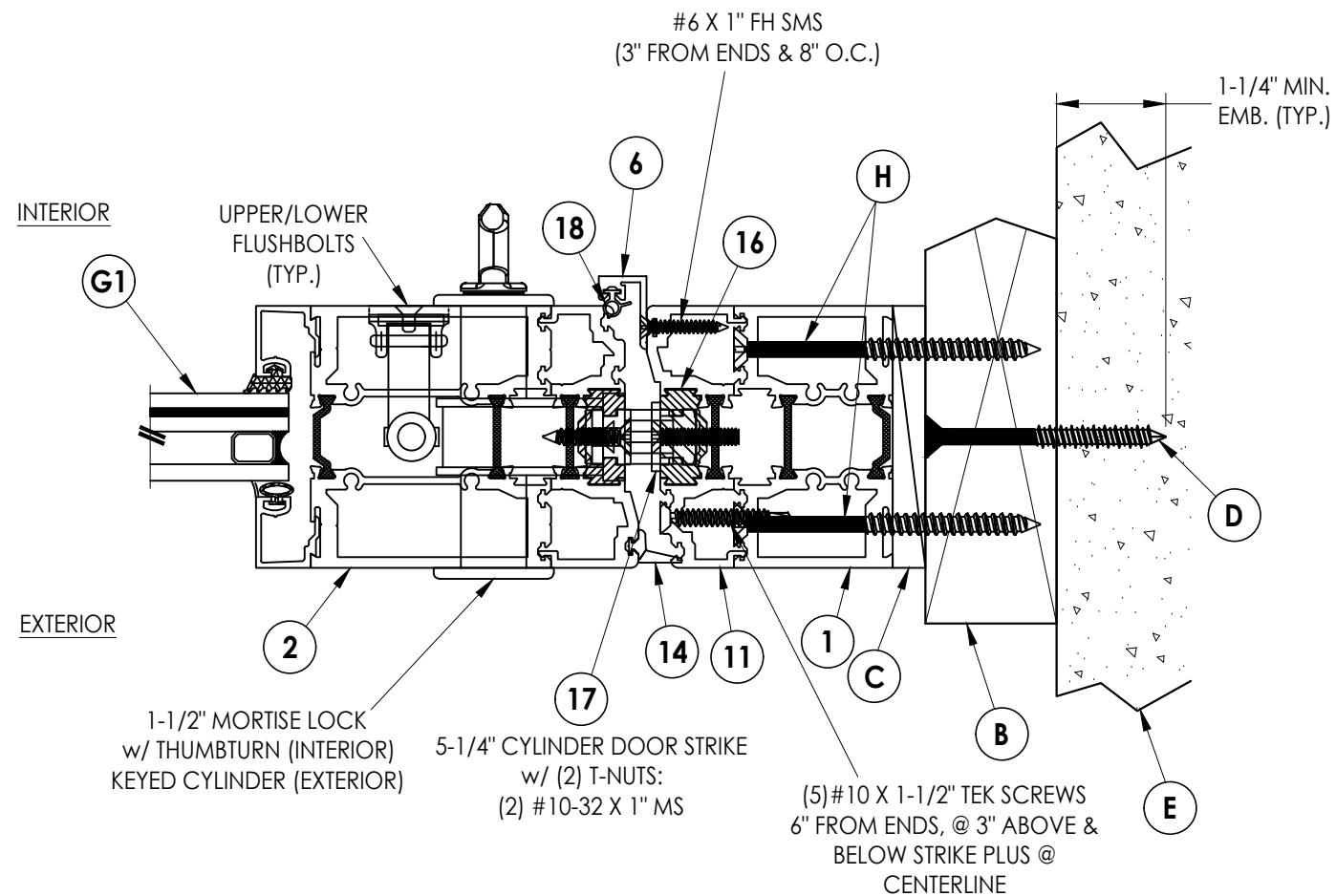
PRODUCT: THERMA-TRU  
PART OR ASSEMBLY: HORIZONTAL & VERTICAL CROSS SECTIONS (2X BUCK)

NO.	DATE	BY	REVISIONS

DATE: 2/07/24  
SCALE: N.T.S.  
DWG. BY: LFS  
CHK. BY: RW  
DRAWING NO.: FL-46172.5  
SHEET 4 OF 12



**1 HORIZONTAL CROSS SECTION**  
Shown w/ 2X Buck



**2 HORIZONTAL CROSS SECTION**  
Shown w/ 2X Buck

Documents Prepared By:  
Lyndon F. Schmidt  
P.E. No. 43409

*RW* BUILDING CONSULTANTS, INC.  
P.O. Box 230, Vairico, FL 33595  
Phone No.: 813.659.9197  
FBPE Registry No. 9813

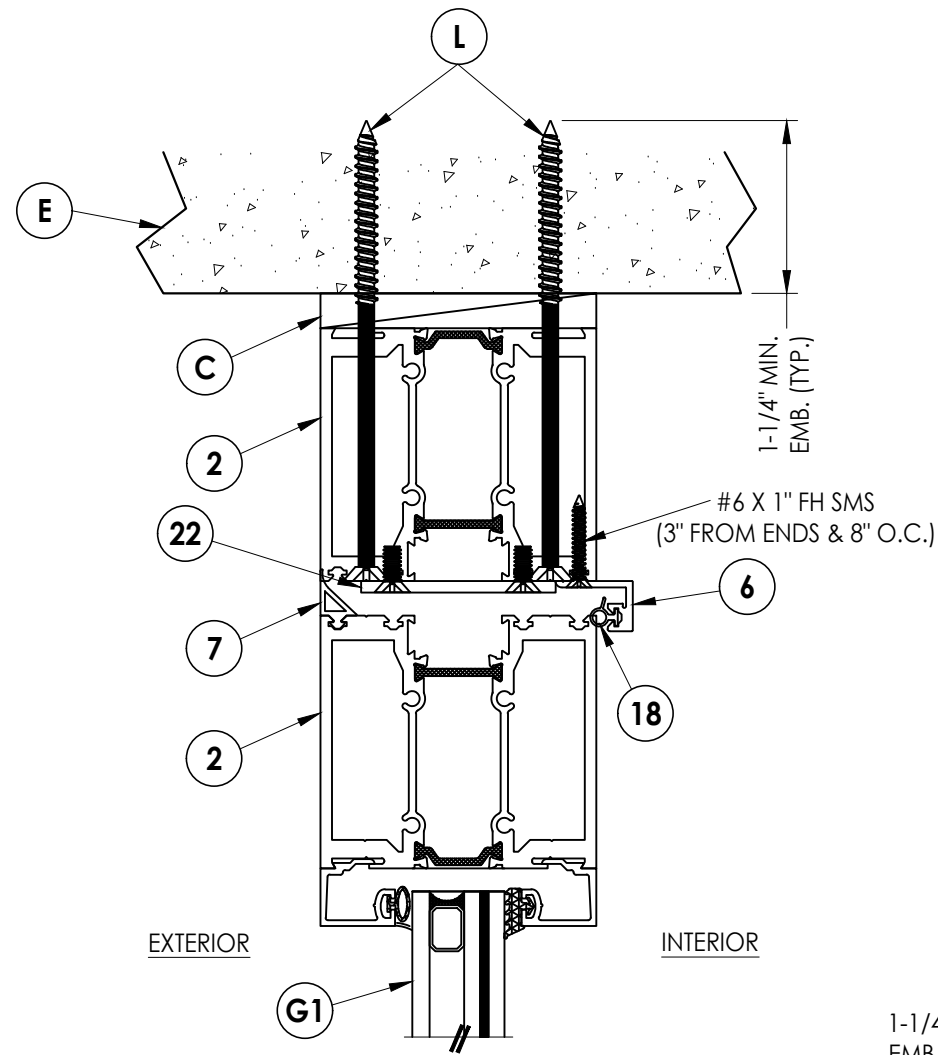
PRODUCT: THERMA-TRU

PART OR ASSEMBLY:  
HORIZONTAL CROSS  
SECTIONS (2X BUCK)

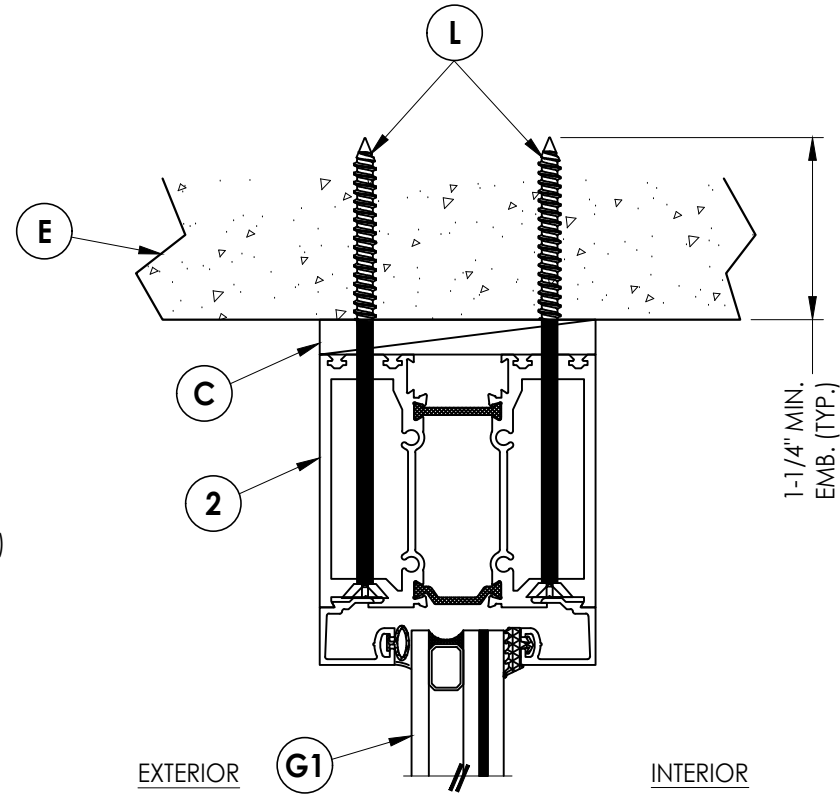
NO.	DATE	BY	REVISIONS

DATE: 2/07/24  
SCALE: N.T.S.  
DWG. BY: LFS  
CHK. BY: RW  
DRAWING NO.:  
FL-46172.5  
SHEET 5 OF 12

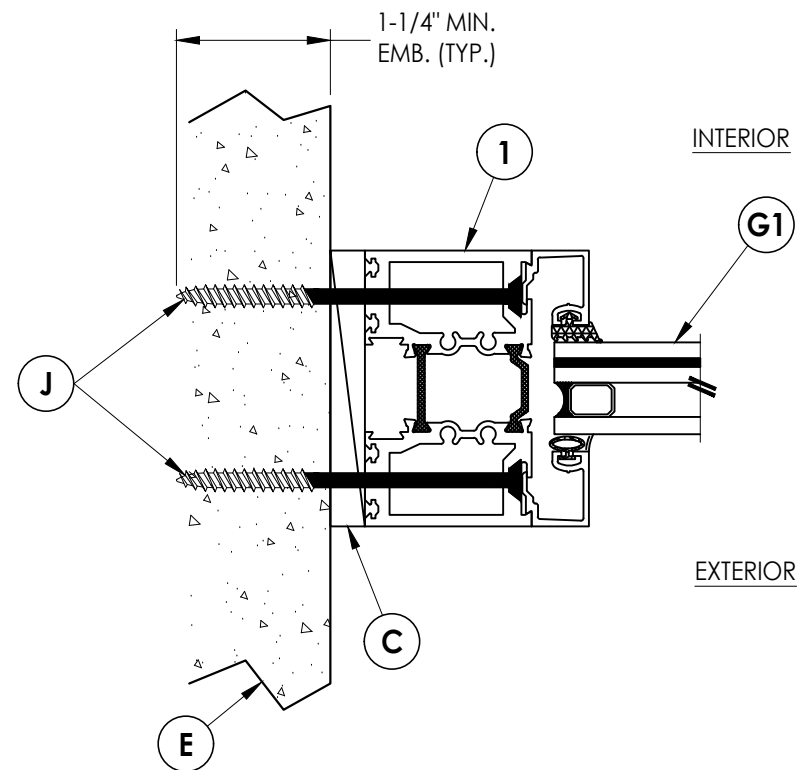




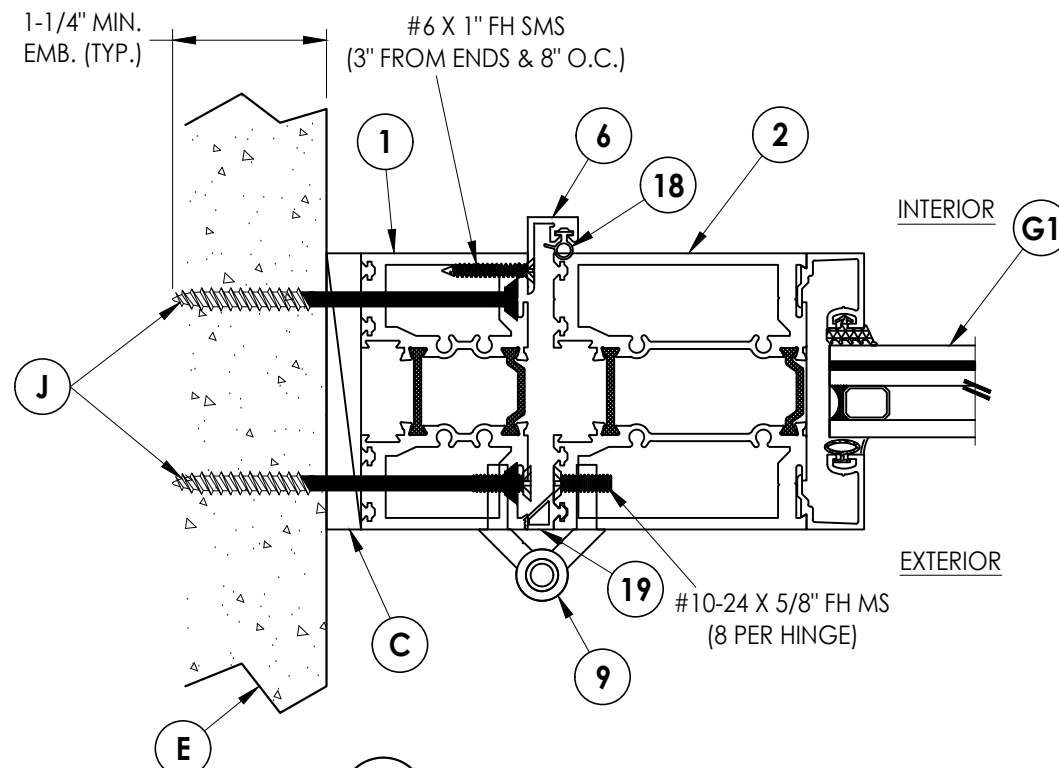
**1** **VERTICAL CROSS SECTION**  
7 Shown Direct to Masonry



**2** **VERTICAL CROSS SECTION**  
7 Shown Direct to Masonry



**3** **HORIZONTAL CROSS SECTION**  
7 Shown Direct to Masonry



**4** **HORIZONTAL CROSS SECTION**  
7 Shown Direct to Masonry

Documents Prepared By:  
Lyndon F. Schmidt  
P.E. No. 43409

**RW** BUILDING CONSULTANTS, INC.  
P.O. Box 230, Valrico, FL 33595  
Phone No.: 813.659.9197  
FBPE Registry No. 9813

PRODUCT: THERMA-TRU

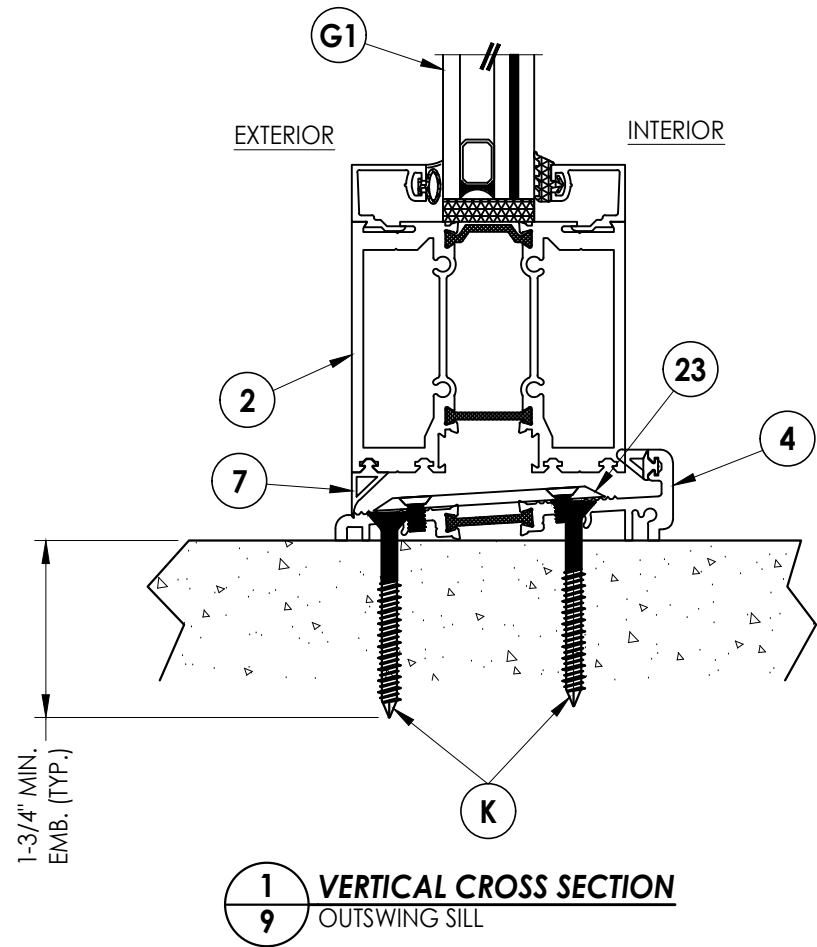
PART OR ASSEMBLY:  
HORIZONTAL & VERTICAL CROSS  
SECTIONS (DIRECT TO MASONRY)

NO.	DATE	BY

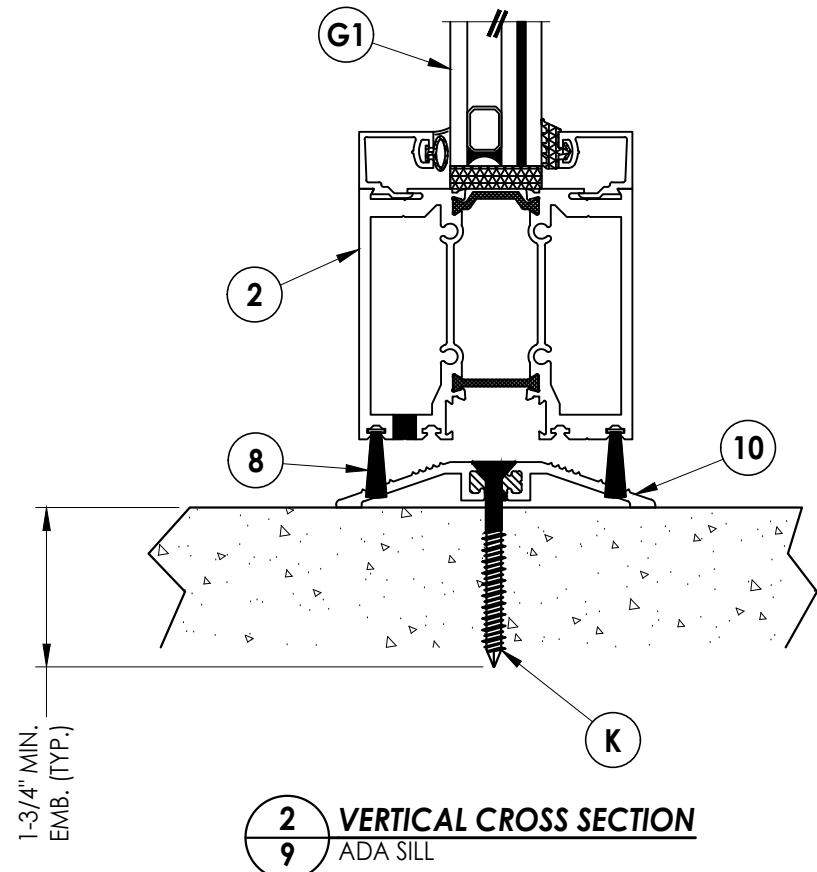
DATE: 2/07/24  
SCALE: N.T.S.  
DWG. BY: LFS  
CHK. BY: RW  
DRAWING NO.: FL-46172.5  
SHEET 7 OF 12



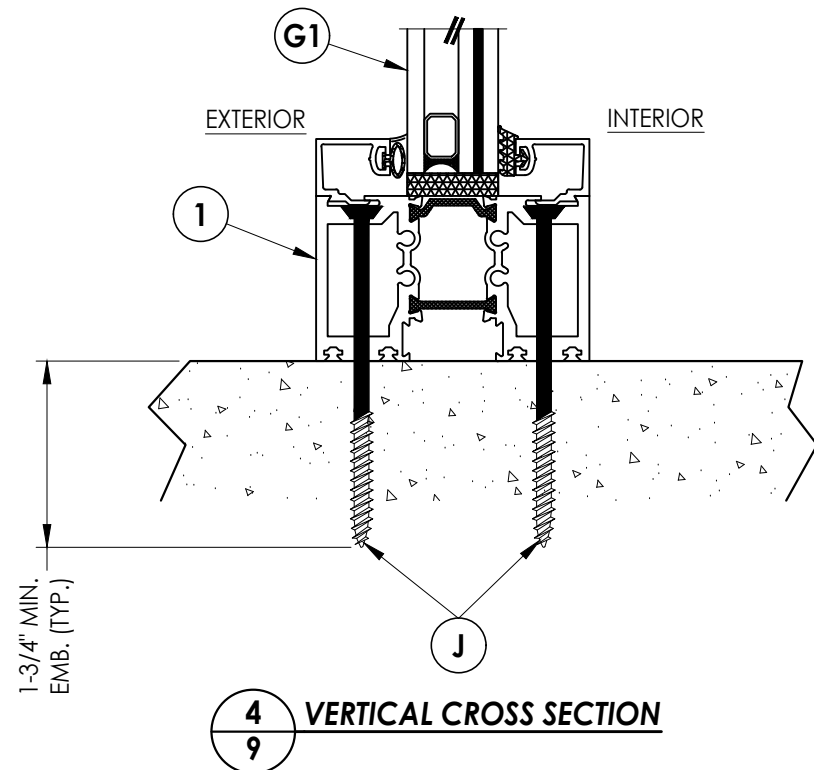




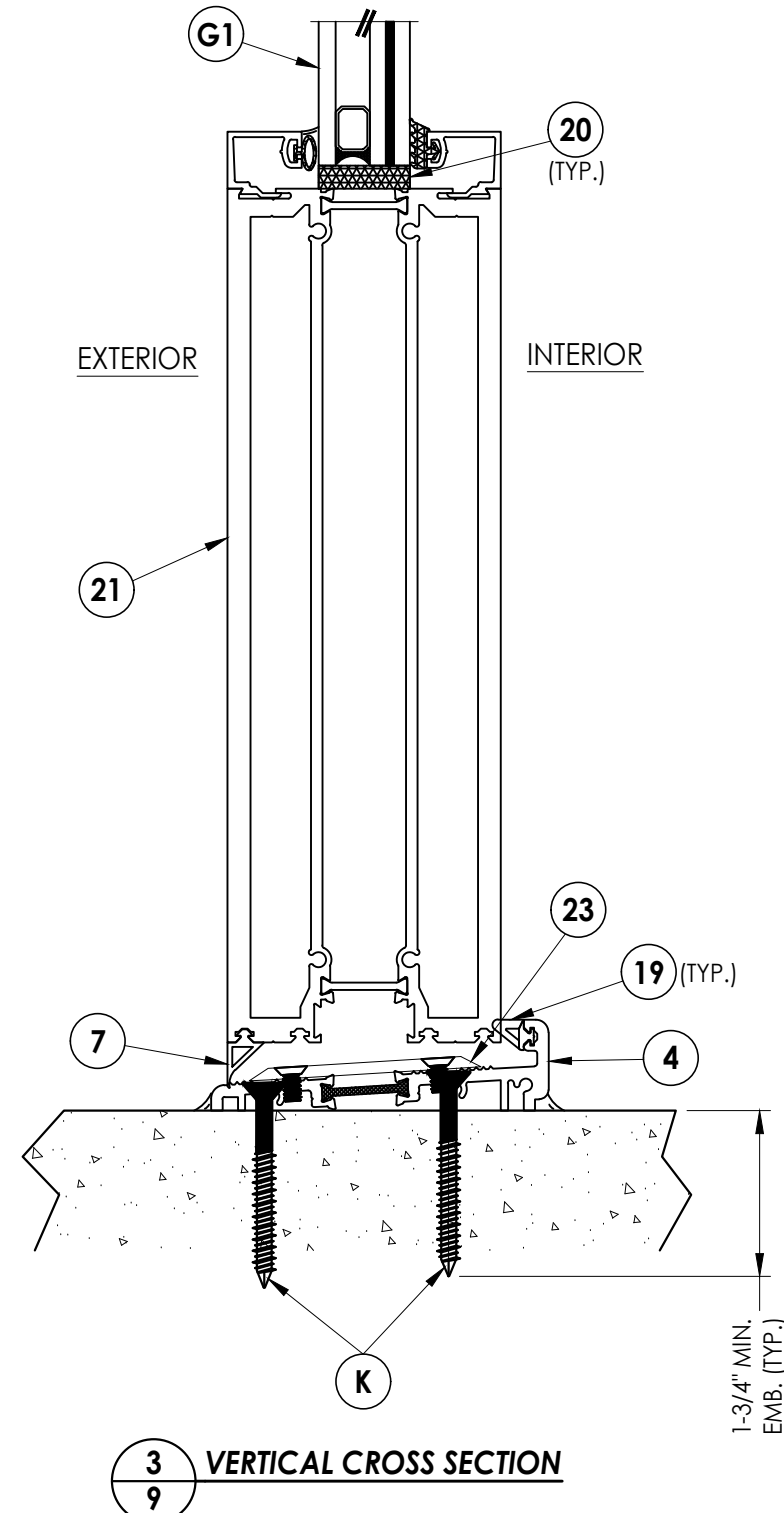
**1**  
**9** **VERTICAL CROSS SECTION**  
OUTSWING SILL



**2**  
**9** **VERTICAL CROSS SECTION**  
ADA SILL



**4**  
**9** **VERTICAL CROSS SECTION**



**3**  
**9** **VERTICAL CROSS SECTION**

Documents Prepared By:  
Lyndon F. Schmidt  
P.E. No. 43409

*RW* BUILDING CONSULTANTS, INC.  
P.O. Box 230, Valrico, FL 33595  
Phone No.: 813.659.9197  
FBPE Registry No. 9813

PRODUCT:  
THERMA-TRU

PART OR ASSEMBLY:  
VERTICAL CROSS SECTIONS

NO.	DATE	BY

REVISIONS

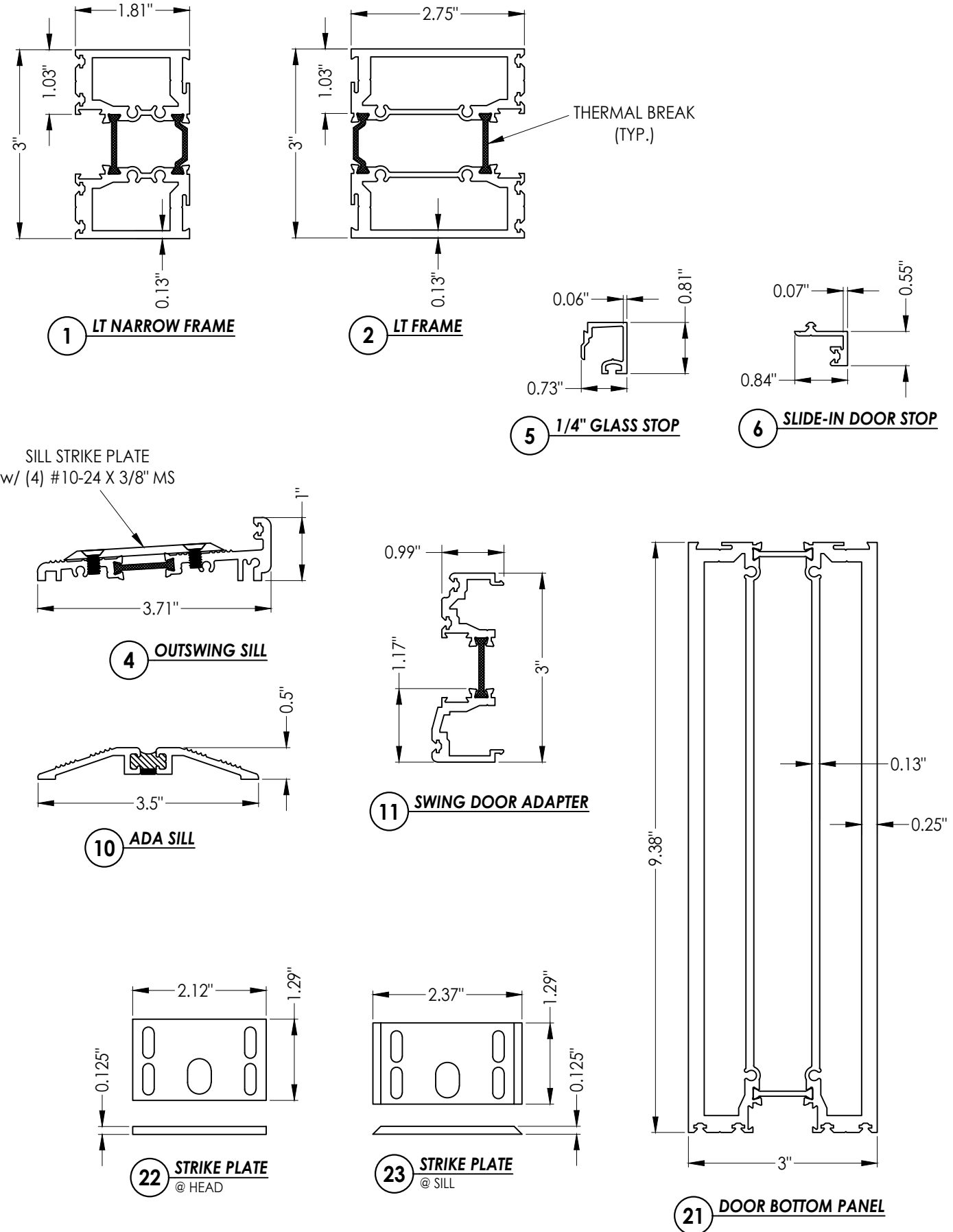
DATE: 2/07/24  
SCALE: N.T.S.  
DWG. BY: JK  
CHK. BY: RW  
DRAWING NO.: FL-46172.5  
SHEET 9 OF 12





**BILL OF MATERIALS**

ITEM	DESCRIPTION	MATERIAL
A	1X BUCK (SG >= 0.42)	WOOD
B	2X BUCK (SG >= 0.42)	WOOD
C	3/8" MAX. SHIM SPACE	-
D	1/4" X 2-3/4" PFH DeWALT OR ITW CONCRETE SCREW	STEEL
E	MASONRY - 3,000 PSI MIN. CONCRETE CONFORMING TO ACI 301 OR HOLLOW BLOCK CONFORMING TO ASTM C90	CONCRETE
F	#14 X 4-1/2" FH SMS (1-1/4" MIN. EMBEDMENT)	S.S.
H	#14 X 3-1/2" FH SMS (1-1/4" MIN. EMBEDMENT)	S.S.
J	1/4" X 3-3/4" PFH DeWALT OR ITW CONCRETE SCREW	STEEL
K	1/4" X 2-1/4" PFH DeWALT OR ITW CONCRETE SCREW	STEEL
L	1/4" X 5" PFH DeWALT OR ITW CONCRETE SCREW	STEEL
1	LT NARROW FRAME	6063-T6 ALUM
2	LT FRAME	6063-T6 ALUM
4	OUTSWING SILL	6063-T6 ALUM
5	1/4" GLASS STOP	6063-T6 ALUM
6	SLIDE-IN DOOR STOP	6063-T5 ALUM
7	DOOR SILL GASKET	-
8	3/4" BRUSH WEATHERSTRIP	-
9	SEMI-CONCEALED HINGE	6105-T5 ALUM
10	ADA SILL	6063-T5 ALUM
11	SWING DOOR ADAPTER	6063-T6 ALUM
14	DOOR SWEEP FOAM GASKET	-
16	16mm EUROGROOVE	-
17	HOPPE DOOR STRIKE	S.S.
18	BULB GASKET	-
19	DOOR GASKET	-
20	SETTING BLOCK	-
21	DOOR BOTTOM PANEL	6063-T5 ALUM
22	STRIKE PLATE (@ HEAD)	S.S.
23	STRIKE PLATE (@ SILL)	S.S.



Documents Prepared By:  
Lyndon F. Schmidt  
P.E. No. 43409

**RW** BUILDING CONSULTANTS, INC.  
P.O. Box 230, Valrico, FL 33595  
Phone No.: 813.659.9197  
FBPE Registry No. 9813

PRODUCT: THERMA TRU  
PART OR ASSEMBLY: BILL OF MATERIAL & COMPONENTS

NO.	DATE	BY	REVISIONS

DATE: 2/07/24  
SCALE: N.T.S.  
DWG. BY: JK  
CHK. BY: RW  
DRAWING NO.: FL-46172.5  
SHEET 12 of 12